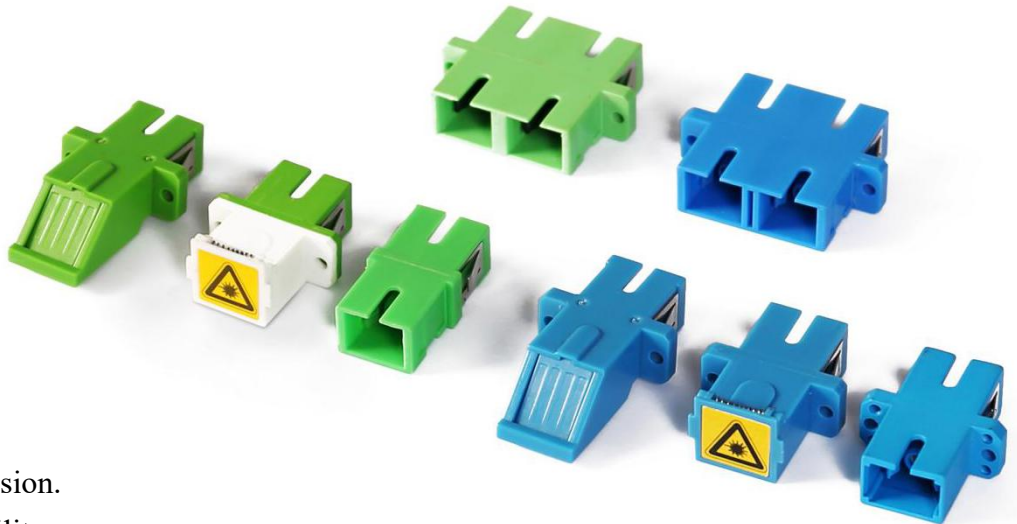


SC Fiber Optic adapter



Features:

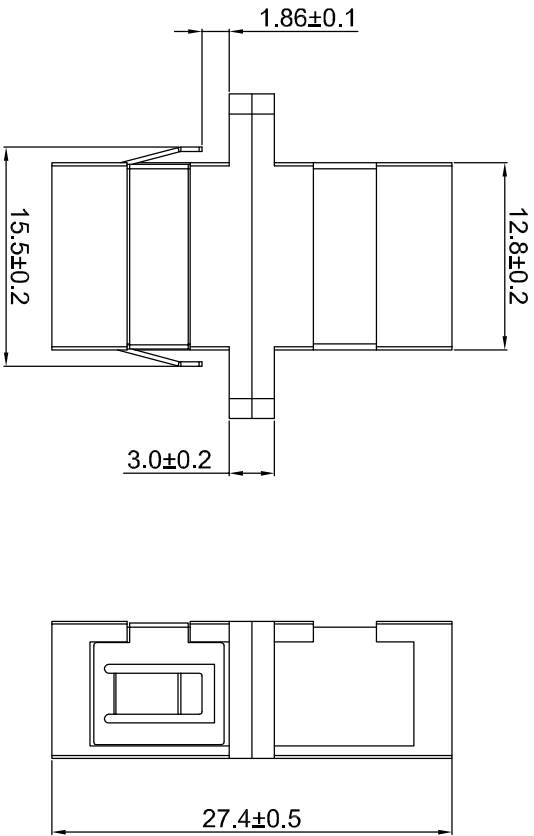
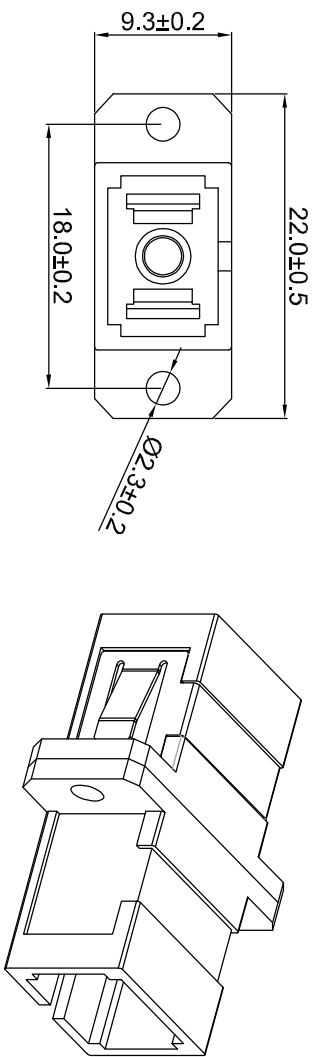
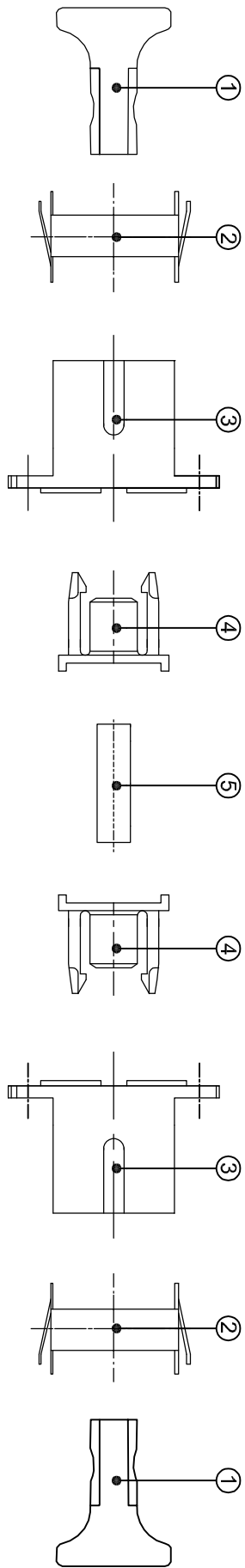
- High size precision.
- Good repeatability.
- Good changeability.
- Good temperature stabilization.
- High wearable.

Application:

- CATV System
- Telecommunications
- Optical Networks
- Testing/Measurement Instruments Fiber Tothe Home

Parameter:

Description:SC Adapter			
Item NO.	Test Item	Unit	Standard & Requirement
1	Insertion Loss (dB)	dB	≤0.20dB
2	Repetitiveness (dB)	dB	≤0.10dB
3	Interchangeability (dB)	dB	≤0.20dB
4	Plug times	times	>500
5	Tensile strength	G	200~600G
6	Operating temperature	Celsius	-40---+85 Celsius
7	Storage temperature	Celsius	-40---+110 Celsius
8	Humidity	Celsius	95%RH (Non-Packaging)




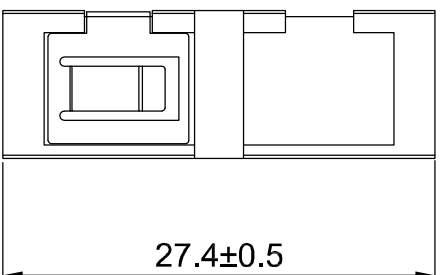
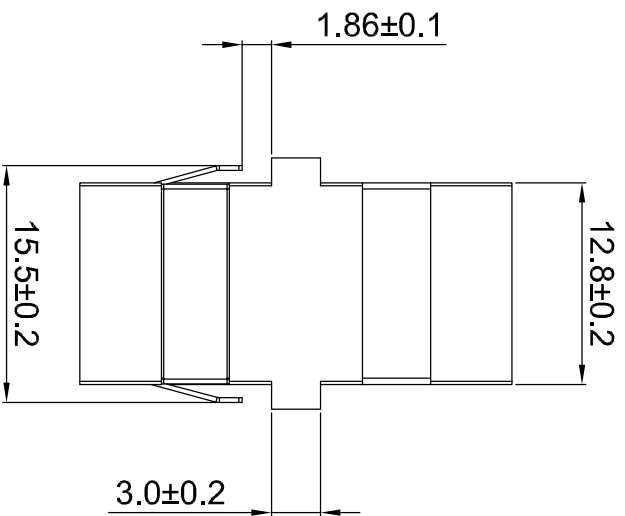
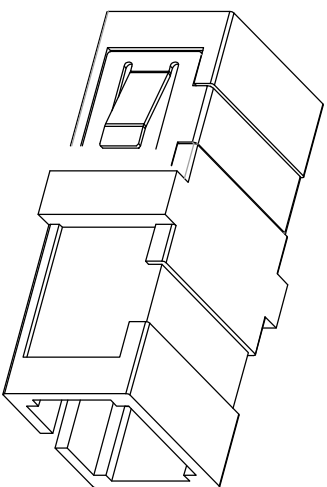
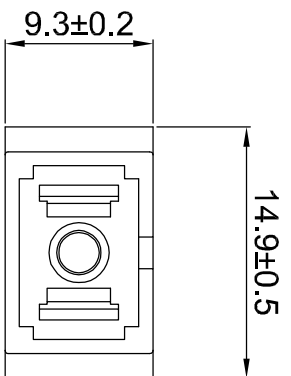
Number	Part name	Material
①	Dust cover	PBT
②	SC simplex plate	SUS304
③	SC adapter simplex body	ABS
④	SC adapter simplex core	PBT
⑤	SC sleeve	ZnO ₂

NOTE:

- 1.Insertion loss :≤0.2dB(Max)
- 2.Insertion loss Typical values:0.1dB
- 3.Durability:1000 matings
- 4.Operation temperature:-40℃ to +85℃
- 5.SC connector according to IEC 61754-4
- 6.Tensile strength:200~600 G

Rohs
Compliant


 SHEN ZHEN DYS FIBER OPTIC TECHNOLOGY CO.LTD			
Designed by:	Yong Yu	Audit:	Qihua Cheng
Date:	2017-08-01	Approver:	Yong Huang
Unit:	mm	Sheet:	A4
Product Name:	SC Adapter with flange		
Drawing NO:	DYS-SOP-ED-170801-02-V3		

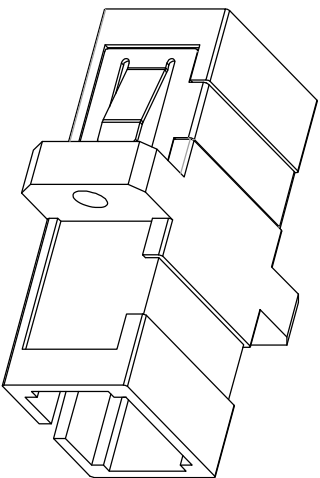
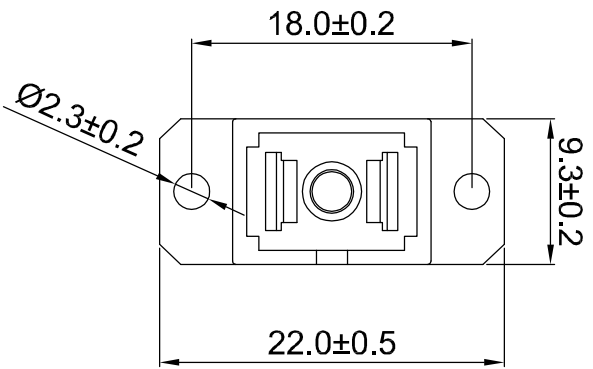
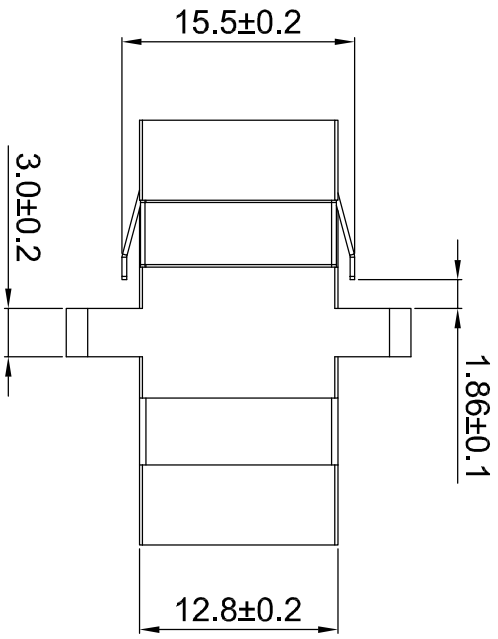


NOTE:

1. Insertion loss Max : 0.2dB
2. Insertion loss Typical values: 0.1dB
3. SC sleeve material: ZrO₂
4. Operation temperature: -40°C to +85°C
5. SC connector according to IEC 61754-4
6. Durability: 1000 matings
7. Tensile strength: 200~600G

**RoHS
Compliant**

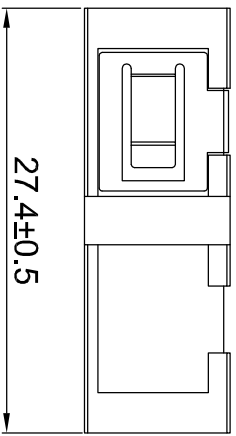
 SHEN ZHEN DYS FIBER OPTIC TECHNOLOGY CO.LTD			
Designed by:	Yong Yu	Audit:	Qihua Cheng
Date:	2017-06-26	Approve:	Yong Huang
Unit:	mm	Sheet:	A4
Product Name:	SC simplex Earless adaptor		
Drawing NO:	DYS-SOP-ED-170626-01-V1		




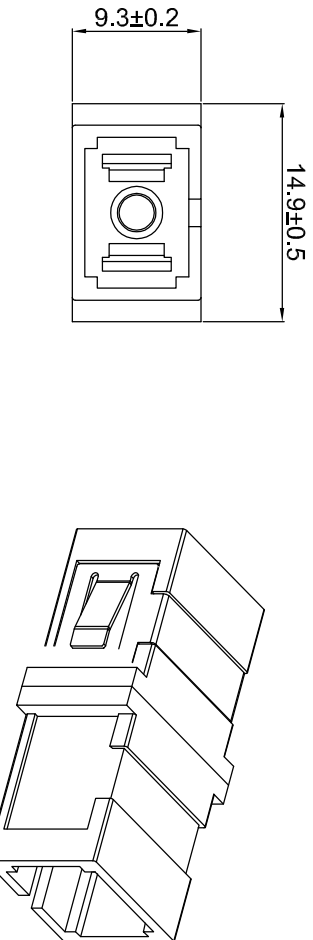
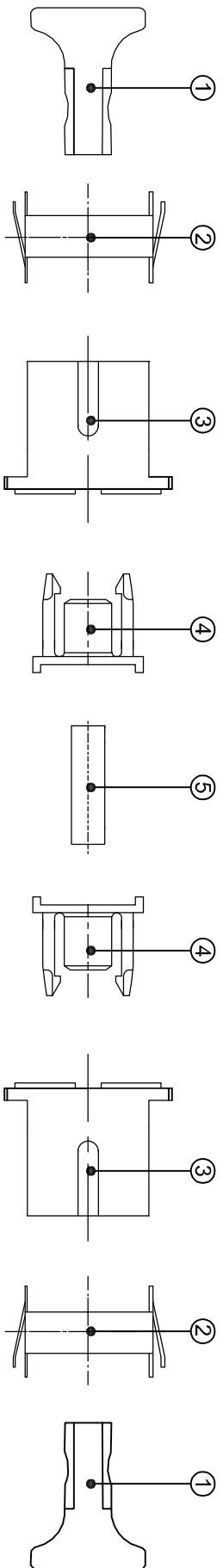
NOTE:

1. Insertion loss Max :0.2dB
2. Insertion loss Typical values:0.1dB
3. SC sleeve material:ZrO₂
4. Operation temperature:-40°C to +85°C
5. SC connector according to IEC 61754-4
6. Durability:1000 matings
7. Tensile strength:200~600G

**RoHS
Compliant**



 SHEN ZHEN DYS FIBER OPTIC TECHNOLOGY CO.LTD			
Designed by:	Yong Yu	Audit:	Qinua Cheng
Date:	2017-10-19	Approve:	Yong Huang
Unit:	mm	Sheet:	A4
Product Name:	SC simplex flange adaptor		
Drawing NO:	DYS-SOP-ED-171019-03-V1		

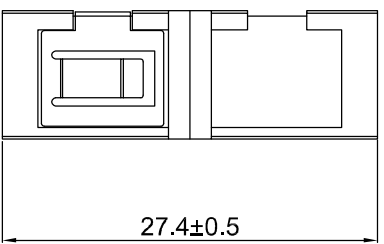
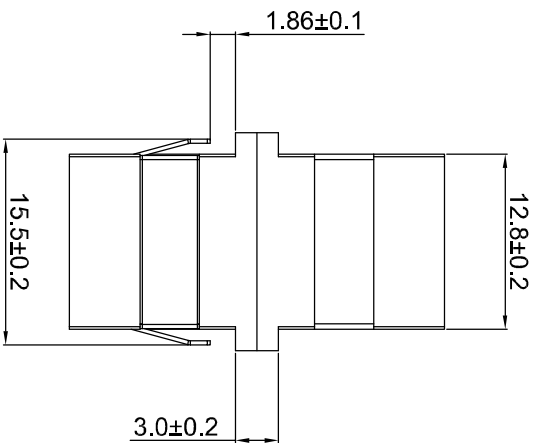



Number	Part name	Material
①	Dust cover	PBT
②	SC simplex plate	SUS304
③	SC adapter simplex body	ABS
④	SC adapter simplex core	PBT
⑤	SC sleeve	ZnO ₂

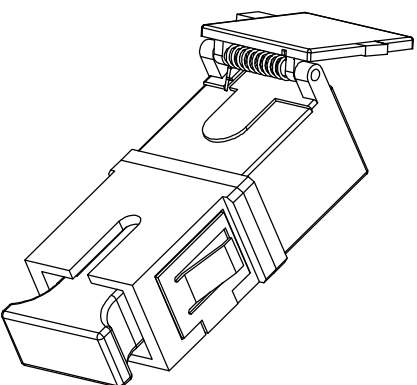
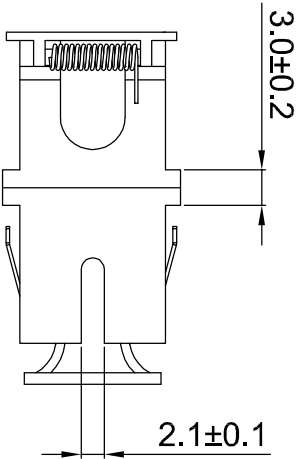
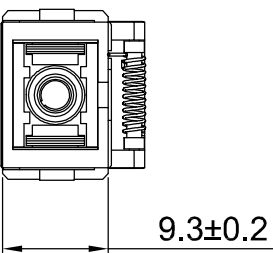
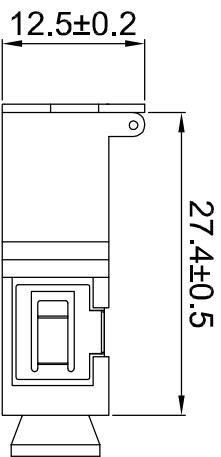
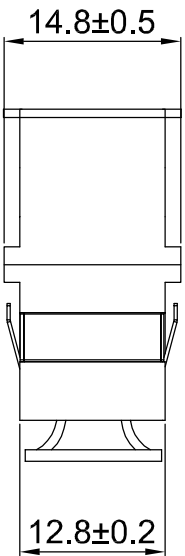
NOTE:

1. Insertion loss : $\leq 0.2\text{dB}(\text{Max})$
2. Insertion loss Typical values: 0.1dB
3. Durability: 1000 matings
4. Operation temperature: -40°C to $+85^\circ\text{C}$
5. SC connector according to IEC 61754-4
6. Tensile strength: $200\sim 600\text{G}$

RoHS
Compliant




		SHEN ZHEN DYS FIBER OPTIC TECHNOLOGY CO.LTD	
Designed by:	Yong Yu	Audit:	Qihua Cheng
Date:	2017-08-01	Approver:	Yong Huang
Unit:	mm	Sheet:	A4
Product Name:	SC simplex Earless adaptor(Split type)		
Drawing NO:	DYS-SOP-ED-170801-02-V3		

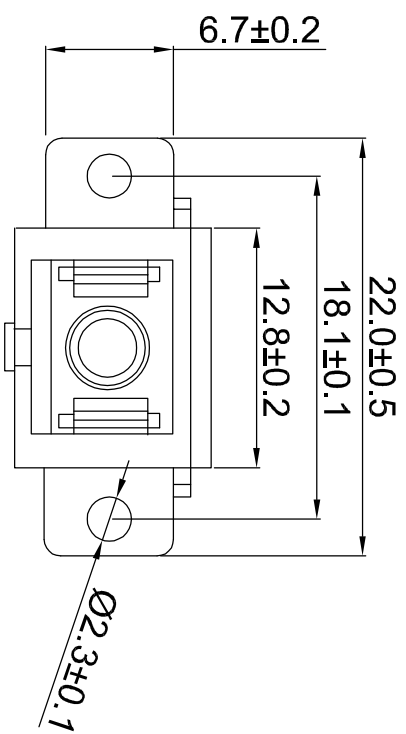
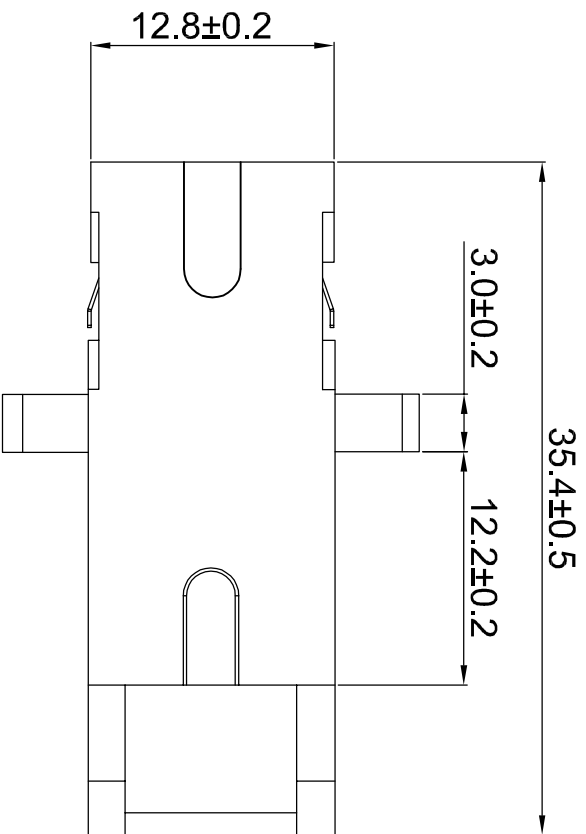
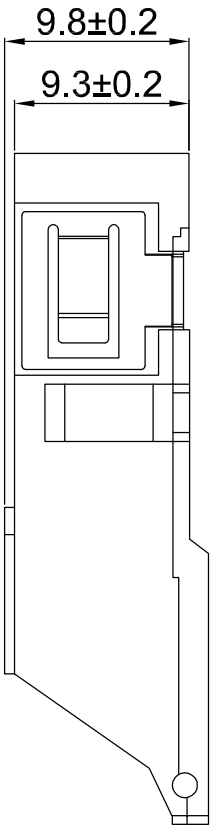


NOTE:

1. Insertion loss Max :0.2dB
2. Insertion loss Typical values:0.1dB
3. SC sleeve material:ZrO₂
4. Operation temperature:-40°C to +85°C
5. SC connector according to IEC 61754-4
6. Durability: 1000 matings
7. Tensile strength:200~600G

**RoHS
Compliant**


 SHEN ZHEN DYS FIBER OPTIC TECHNOLOGY CO.LTD			
Designed by:	Yong Yu	Audit:	Qinua Cheng
Date:	2017-07-26	Approve:	Yong Huang
Unit:	mm	Sheet:	A4
Product Name:	SC simplex Earless adaptor(Flip up and down)		
Drawing NO:	DYS-SOP-ED-170726-01-V1		

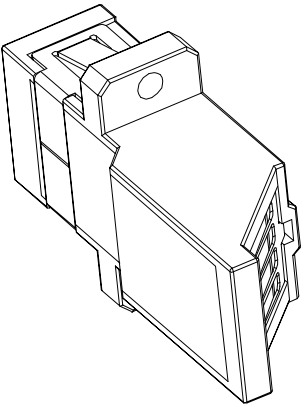
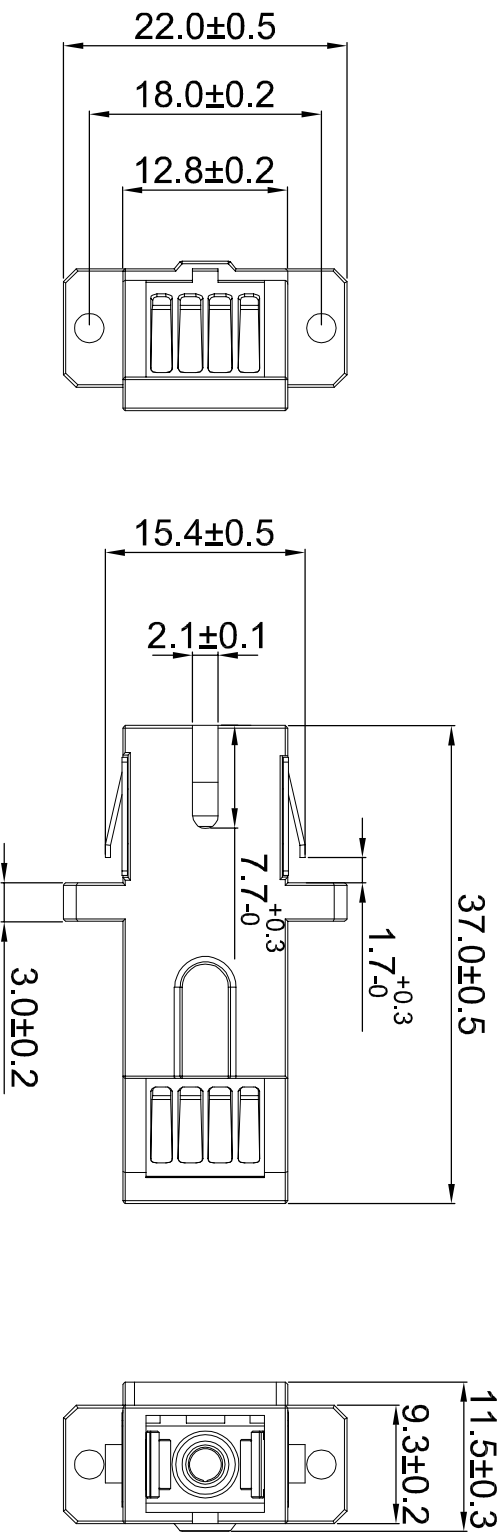


NOTE:

1. Insertion loss Max :0.2dB
2. Insertion loss Typical values:0.1dB
3. SC sleeve material:ZrO₂
4. Operation temperature:-40°C to +85°C
5. SC connector according to IEC 61754-4
6. Durability: 1000 matings
7. Tensile strength:200~600G

RoHS
Compliant


		SHEN ZHEN DYS FIBER OPTIC TECHNOLOGY CO.LTD	
Designed by:	Yong Yu	Audit:	Qinhua Cheng
Date:	2018-02-01	Approve:	Yong Huang
Unit:	mm	Sheet:	A4
Product Name:	SC simplex flange adaptor(Flip up and down)		
Drawing NO:	DYS-SOP-ED-180201-01-V1		

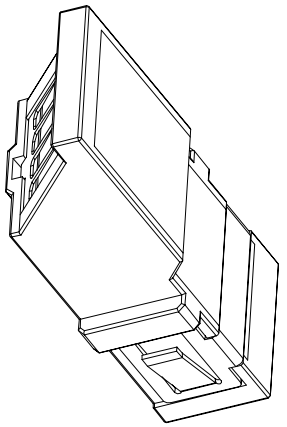
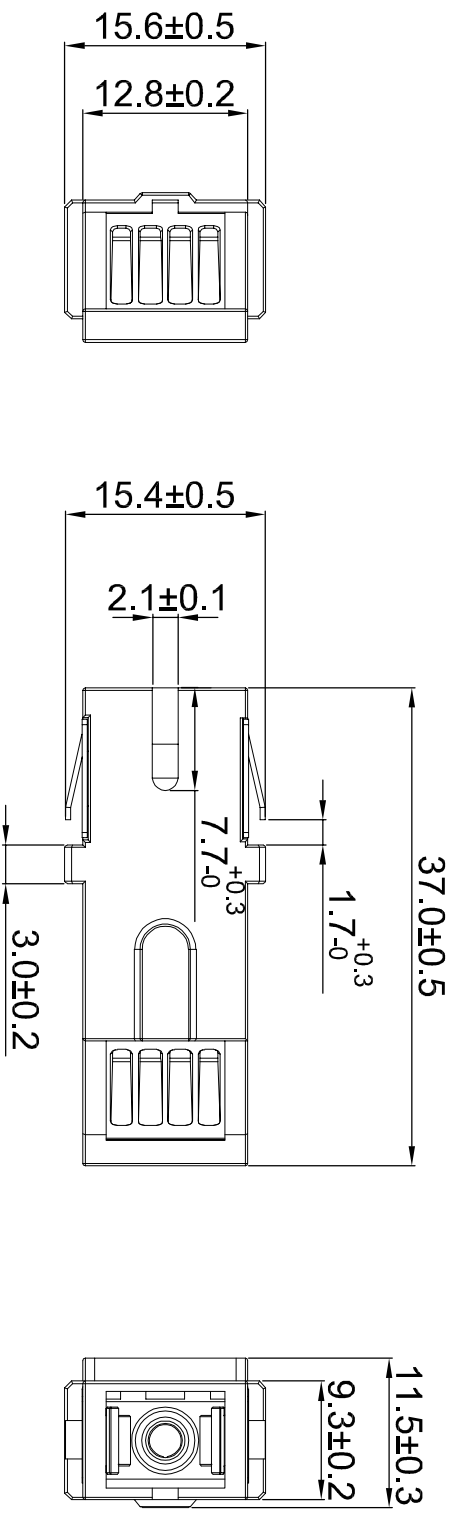


NOTE:

1. Insertion loss Max :0.2dB
2. Insertion loss Typical values:0.1dB
3. SC sleeve material:ZrO₂
4. Operation temperature:-40°C to +85°C
5. SC connector according to IEC 61754-4
6. Durability:1000 matings
7. Tensile strength:200~600G

RoHS
Compliant


		SHEN ZHEN DYS FIBER OPTIC TECHNOLOGY CO.LTD	
Designed by:	Yong Yu	Audit:	Qinua Cheng
Date:	2018-09-27	Approve:	Yong Huang
Unit:	mm	Sheet:	A4
Product Name:	SC simplex flange Push adapter		
Drawing NO:	DYS-SOP-ED-180927-06-V1		

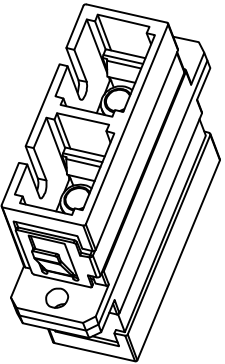
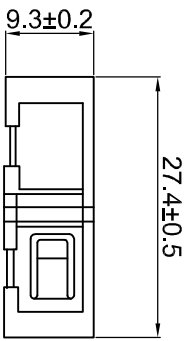
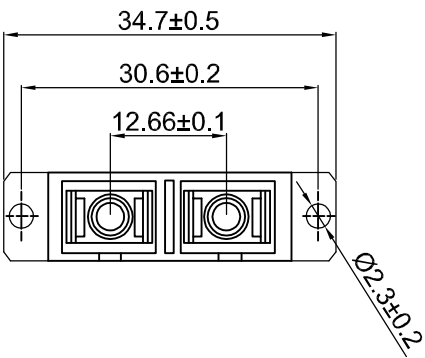
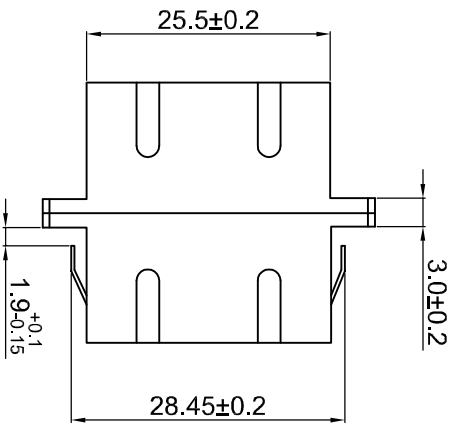
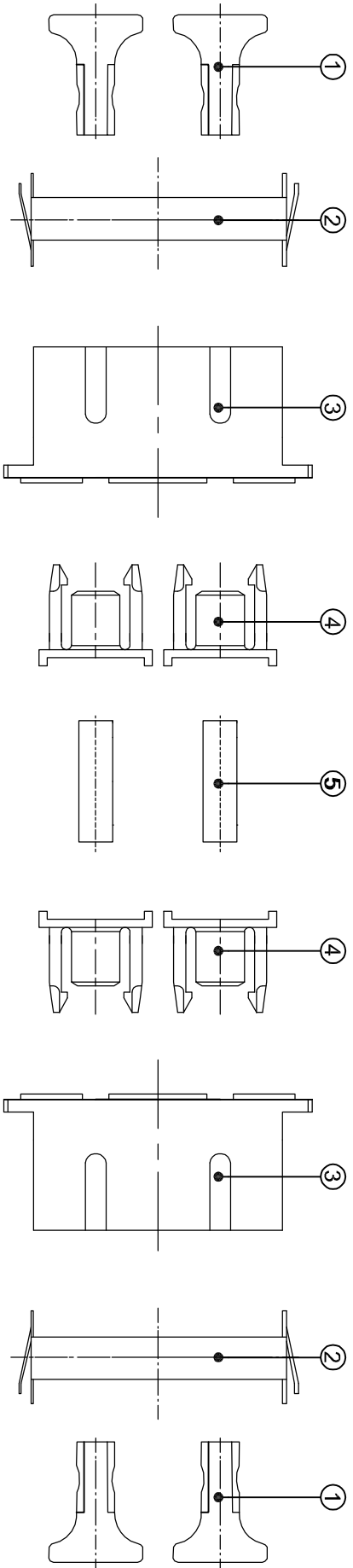


NOTE:

1. Insertion loss Max :0.2dB
2. Insertion loss Typical values:0.1dB
3. SC sleeve material:ZrO₂
4. Operation temperature:-40°C to +85°C
5. SC connector according to IEC 61754-4
6. Durability:1000 matings
7. Tensile strength:200~600G

RoHS
Compliant

 SHEN ZHEN DYS FIBER OPTIC TECHNOLOGY CO.LTD			
Designed by:	Yong Yu	Audit:	Qinua Cheng
Date:	2018-09-27	Approve:	Yong Huang
Unit:	mm	Sheet:	A4
Product Name:	SC simplex Earless Push adapter		
Drawing NO:	DYS-SOP-ED-180927-05-V1		




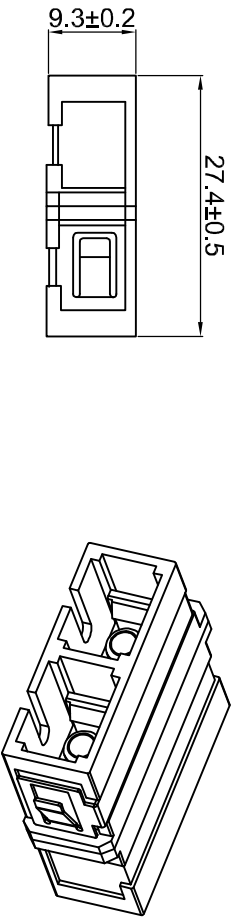
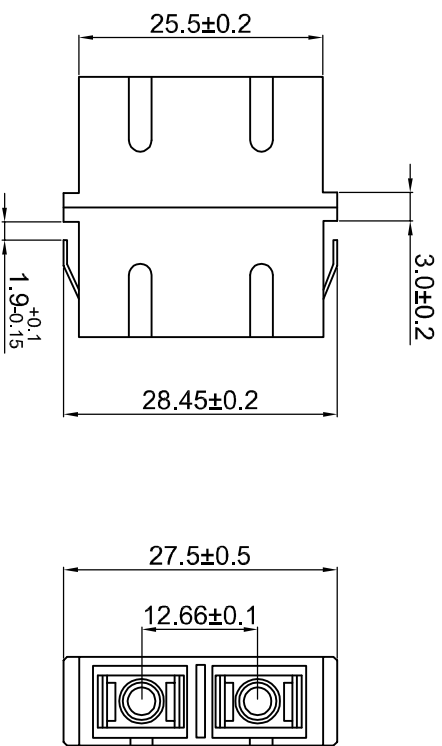
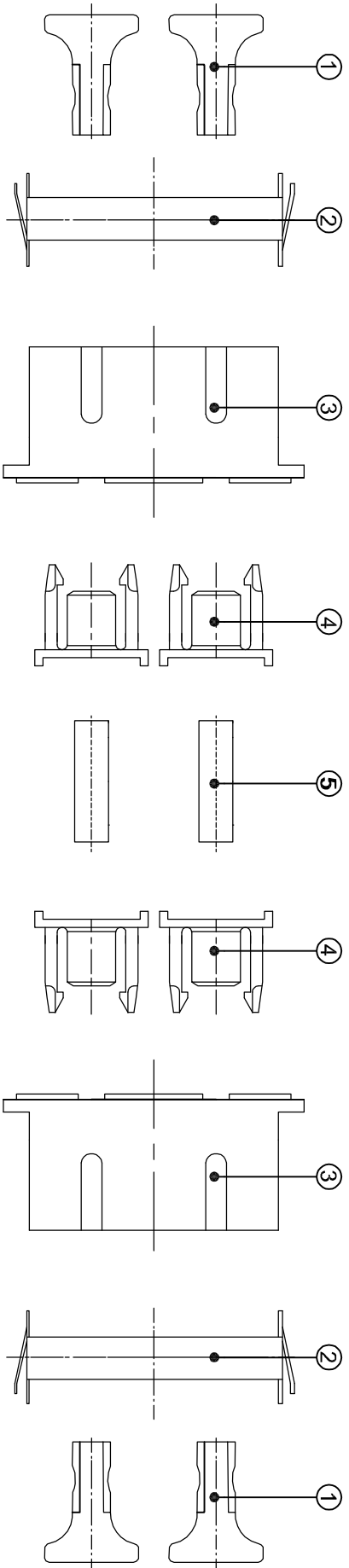
Number	Part name	Material
①	Dust cover	PBT
②	SC duplex plate	SUS304
③	SC adapter duplex body	ABS
④	SC adapter duplex core	PBT
⑤	SC sleeve	ZnO ₂

NOTE:

- 1.Insertion loss :≤0.2dB(Max)
- 2.Insertion loss Typical values:0.1dB
- 3.Durability: 1000 matings
- 4.Operation temperature:-40°C to +85°C
- 5.SC connector according to IEC 61754-4
- 6.Tensile strength:200~600G

RoHS
Compliant

 SHEN ZHEN DYS FIBER OPTIC TECHNOLOGY CO.LTD			
Designed by:	Yong Yu	Audit:	Qihua Cheng
Date:	2017-09-16	Approve:	Yong Huang
Unit:	mm	Sheet:	A4
Product Name:	SC Duplex With Ear Adapter		
Drawing NO:	DYS-SOP-ED-170915-01-V3		




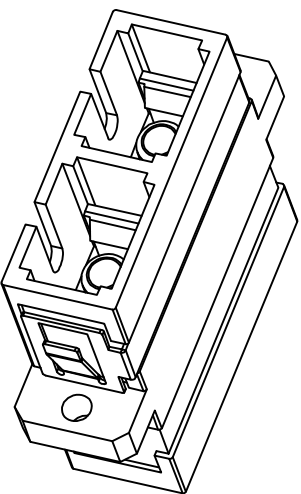
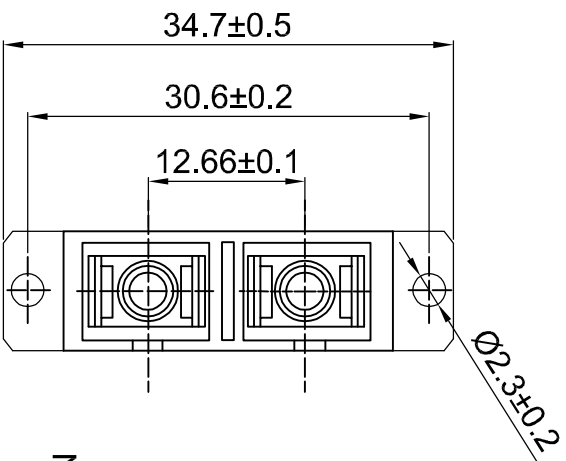
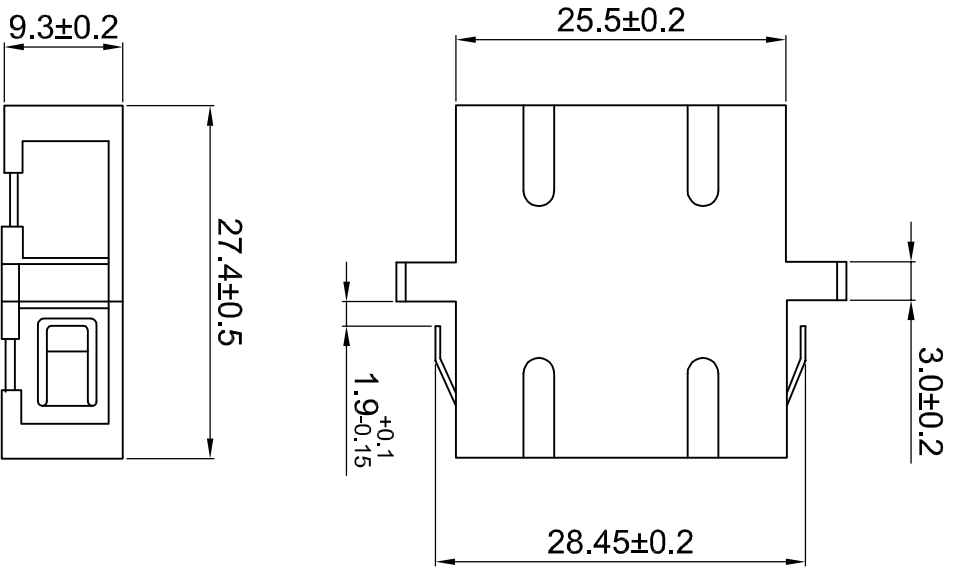
Number	Part name	Material
①	Dust cover	PBT
②	SC duplex plate	SUS304
③	SC adapter duplex body	ABS
④	SC adapter duplex core	PBT
⑤	SC sleeve	ZrO ₂

NOTE:

1. Insertion loss : ≤0.2dB(Max)
2. Insertion loss Typical values: 0.1dB
3. Durability: 1000 matings
4. Operation temperature: -40°C to +85°C
5. SC connector according to IEC 61754-4
6. Tensile strength: 200~600G

RoHS
Compliant


 SHEN ZHEN DYS FIBER OPTIC TECHNOLOGY CO.LTD			
Designed by:	Yong Yu	Audit:	Qihua Cheng
Date:	2017-08-16	Approve:	Yong Huang
Unit:	mm	Sheet:	A4
Product Name:	SC Duplex Earless Adapter		
Drawing NO:	DYS-SOP-ED-170815-01-V3		

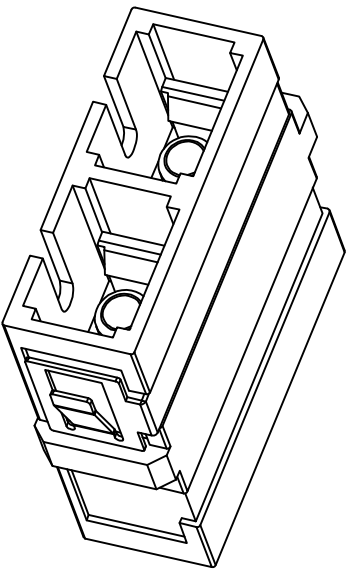
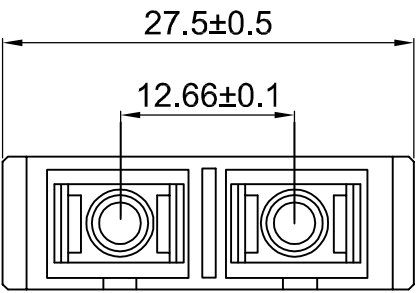
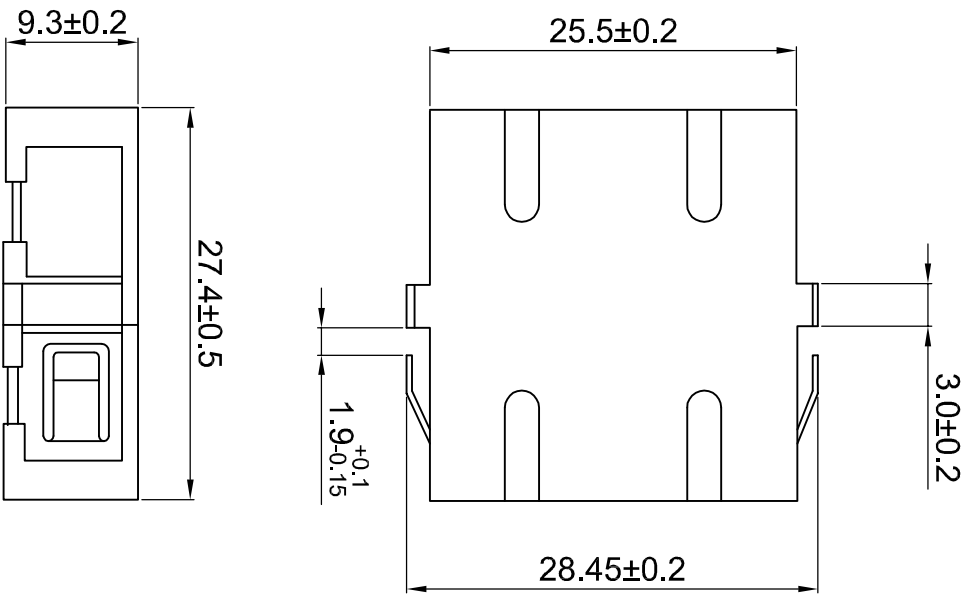


NOTE:

1. Insertion loss Max :0.2dB
2. Insertion loss Typical values:0.1dB
3. SC sleeve material:ZrO₂
4. Operation temperature:-40°C to +85°C
5. SC connector according to IEC 61754-4
6. Durability:1000 matings
7. Tensile strength:200~600G

**RoHS
Compliant**


		SHEN ZHEN DYS FIBER OPTIC TECHNOLOGY CO.LTD	
Designed by:	Yong Yu	Audit:	Qihua Cheng
Date:	2017-10-27	Approve:	Yong Huang
Unit:	mm	Sheet:	A4
Product Name:	SC Duplex flange adaptor		
Drawing NO:	DYS-SOP-ED-171027-02-V1		



NOTE:

1. Insertion loss Max :0.2dB
2. Insertion loss Typical values:0.1dB
3. SC sleeve material:ZrO₂
4. Operation temperature:-40°C to +85°C
5. SC connector according to IEC 61754-4
6. Durability:1000 matings
7. Tensile strength:200~600G

**RoHS
Compliant**

		SHEN ZHEN DYS FIBER OPTIC TECHNOLOGY CO.LTD	
Designed by:	Yong Yu	Audit:	Qihua Cheng
Date:	2017-10-27	Approve:	Yong Huang
Unit:	mm	Sheet:	A4
Product Name:	SC Duplex Earless adaptor		
Drawing NO:	DYS-SOP-ED-171027-03-V1		